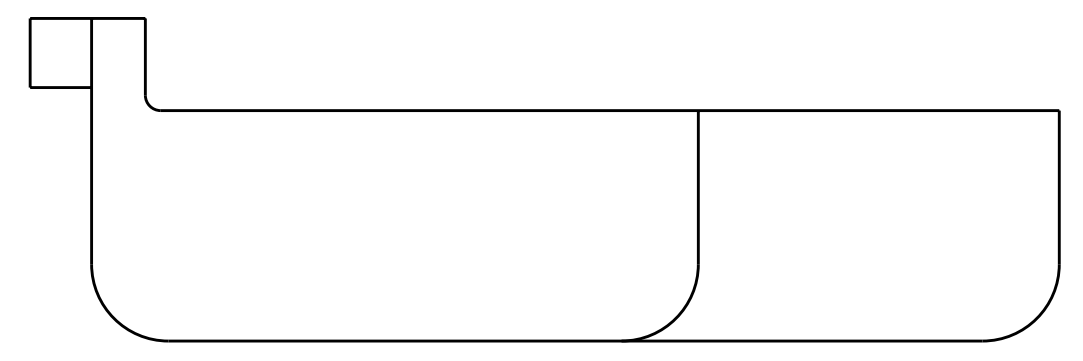
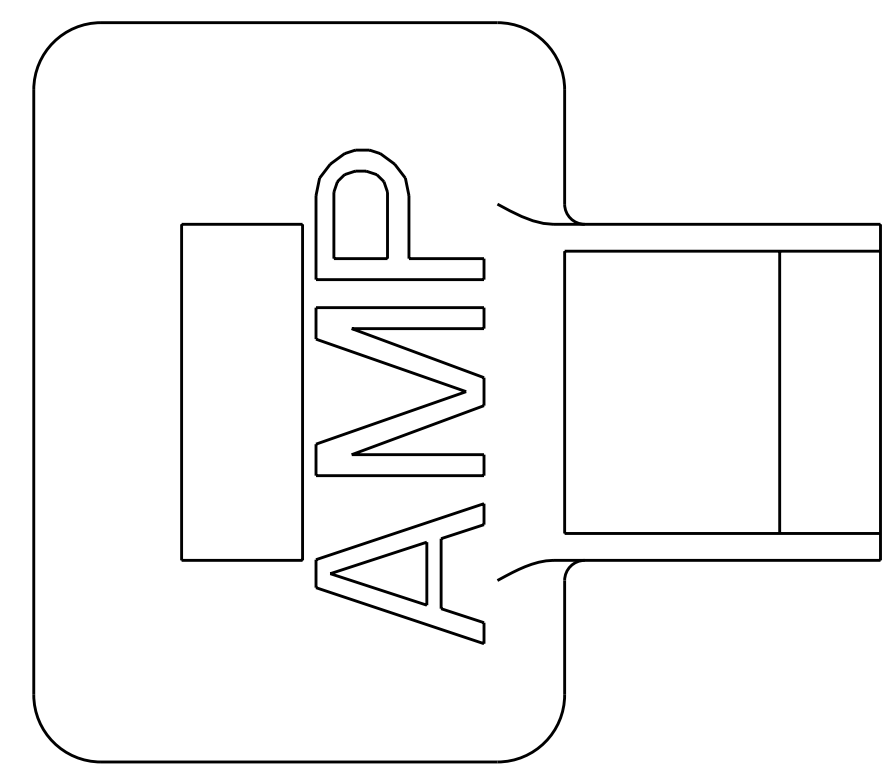
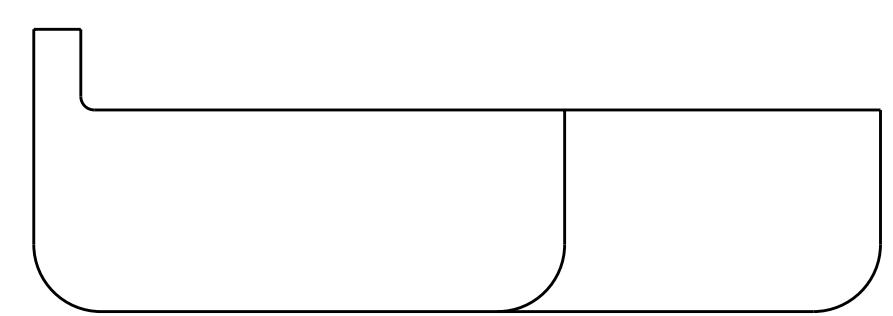
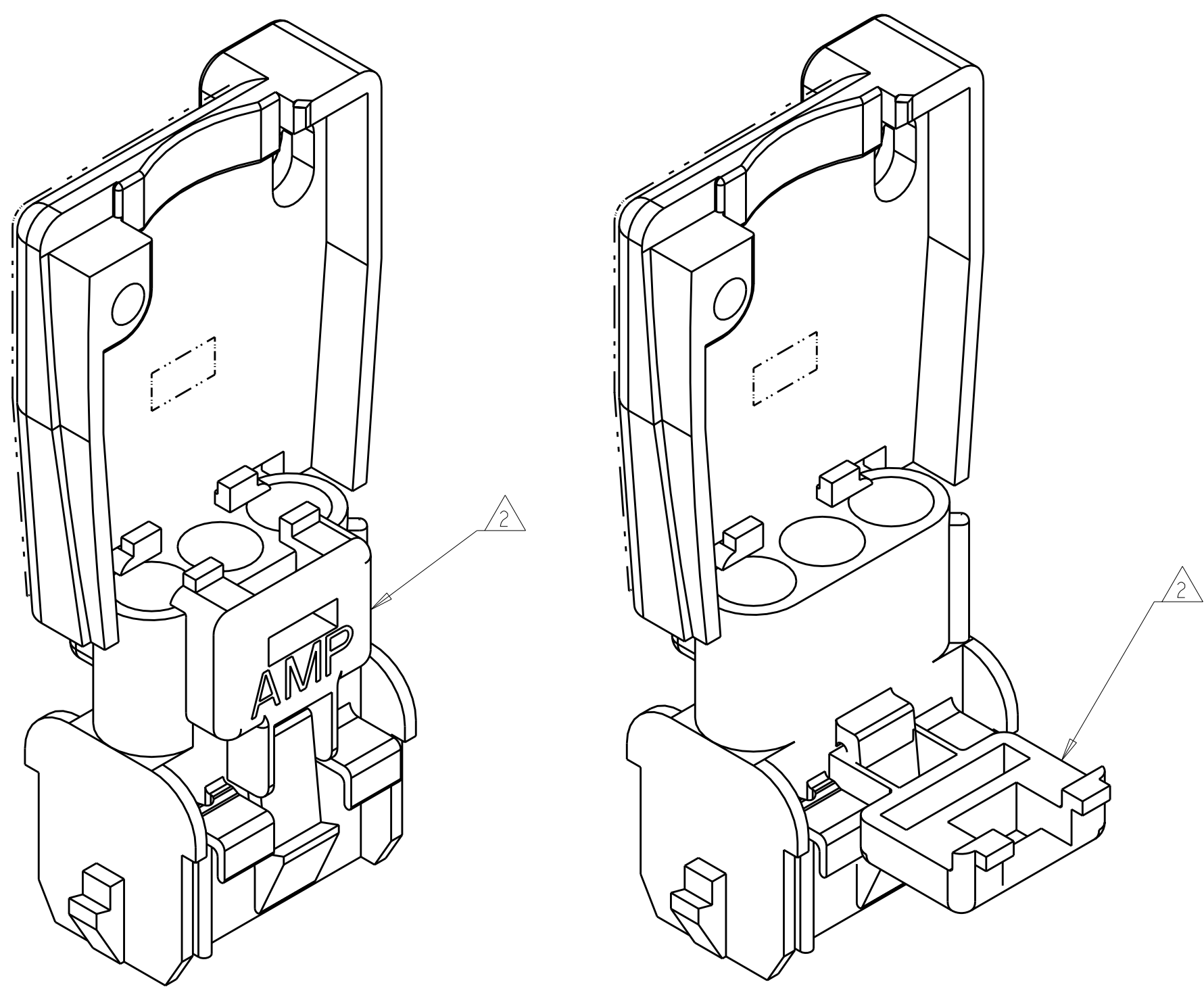
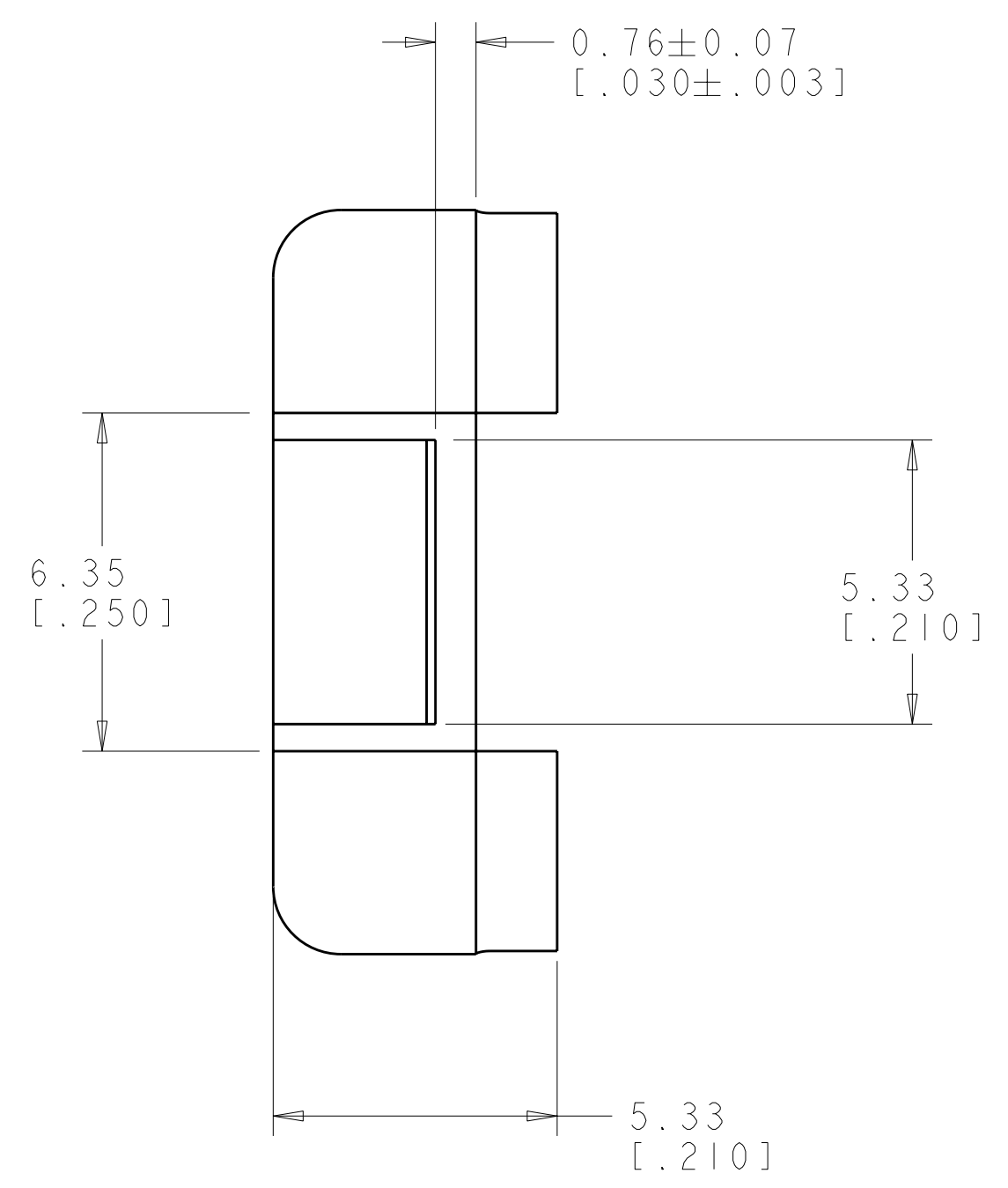
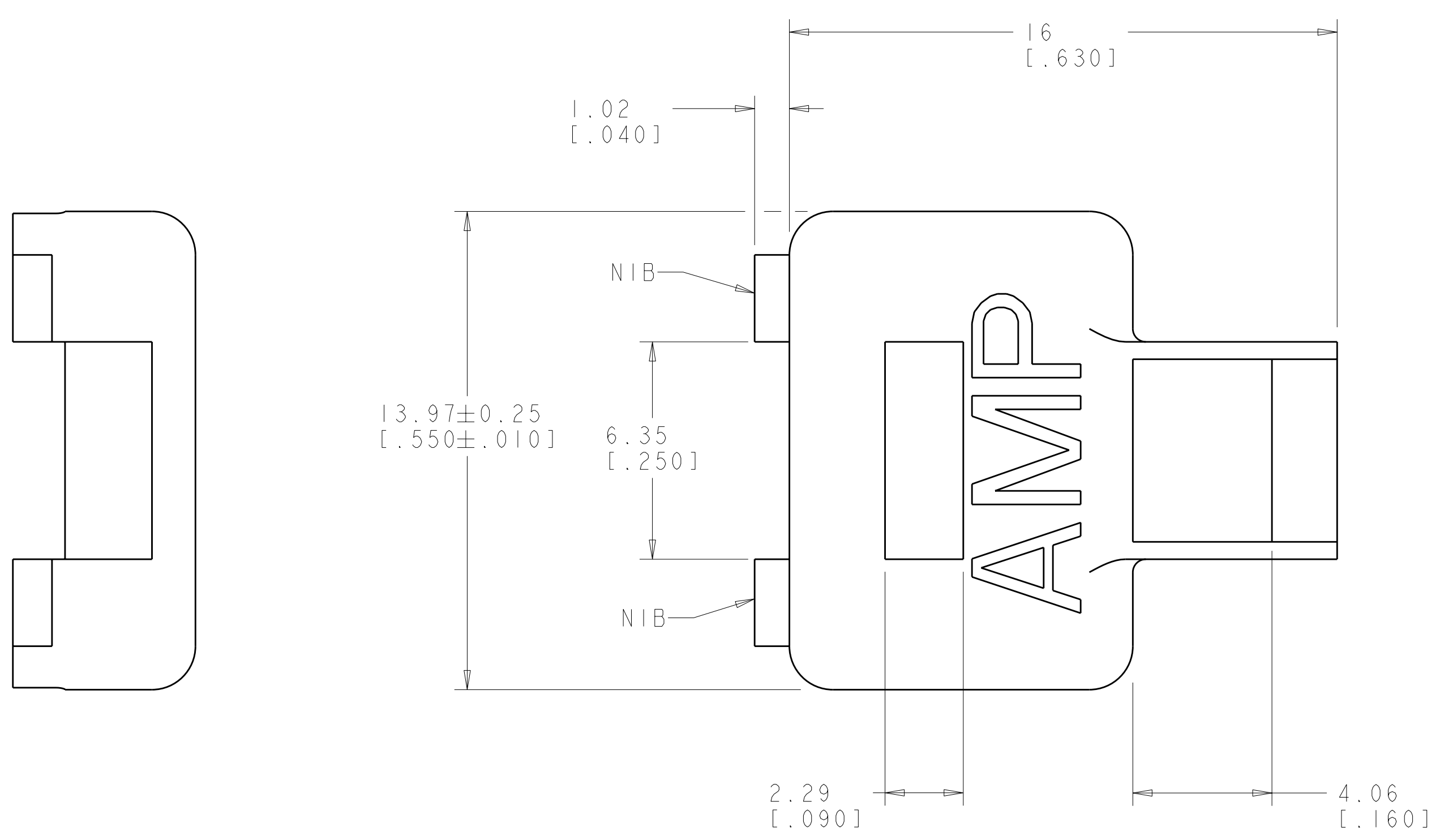


LOC	DIST	REVISIONS			
CM	00	REV	DATE	BY	APPD
		F2	16MAR2007	KW	DC



- FOR USE WITH 3, 4, 9, 12, AND 15 CIRCUIT CAP HOUSINGS AND APPROPRIATE STRAIN RELIEF (ENCLOSED VERSION).
- ADAPTER ATTACHES TO CAP HOUSING AS SHOWN PROVIDING FEATURE TO ATTACH STRAIN RELIEF.
- MATERIAL: NYLON UL94V-2.



ALTERNATE STYLE  
641777-2

0.0239	BLACK	FOR STRAIN RELIEF	AS SHOWN (WITH NIBS)	641777-9
0.0239	GRAY	FOR STRAIN RELIEF	AS SHOWN (WITH NIBS)	641777-8
0.0236	NATURAL	FOR STRAIN RELIEF	ALTERNATE (WITHOUT NIBS)	641777-2
0.0239	NATURAL	FOR ASSEMBLY MODULE	AS SHOWN (WITH NIBS)	641777-1
VOLUME IN <sup>3</sup>	COLOR	USAGE	STYLE	PART NO.

DIMENSIONS:		TOLERANCES UNLESS OTHERWISE SPECIFIED:		DWN		TYCO ELECTRONICS	
mm [INCHES]		9 PLC	±	R. WHITAKER	16MAR2007	Tyco Electronics Harrisburg, PA 17105-3608	
		1 PLC	±	CHK D. COLEY	16MAR2007	NAME	
		5 PLC	±0.13(.005)	APVD D. COLEY	16MAR2007	PRODUCT SPEC	
		4 PLC	±			APPLICATION SPEC	
		ANGLES	±			SIZE CAGE CODE DRAWING NO	
		FINISH	±			RESTRICTED TO	
			±0°30'			A1100779C=641777	
						CUSTOMER DRAWING	
						SCALE 8:1 SHEET 1 OF 1 REV F2	

